

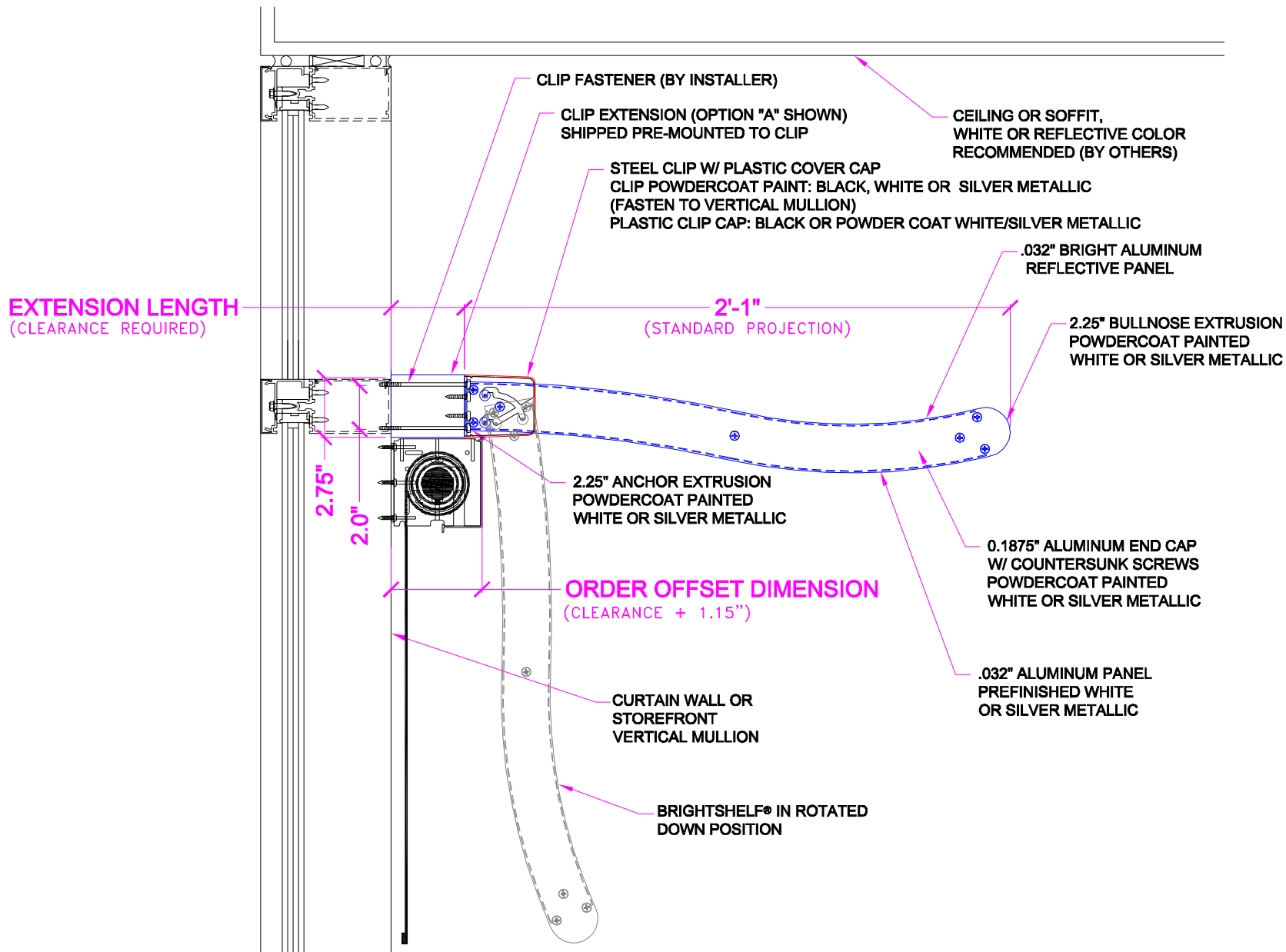
# SECTION CLIP EXTENSION WITH SHADE BEHIND SHELF

**H & H ENTERPRISES, INC.**  
 12520 GRANT DRIVE #100  
 THORNTON, CO 80241-2408  
 (303) 429-4847  
 WWW.H-HMETALS.COM



U.S. Patent # 8,027,092B1  
 BrightShelf® is a registered trademark of H&H Enterprises, Inc.

Designed By CJH
Drawn By CJH
Checked By
Date JANUARY 15, 2015
Scale NTS
Sheet Title CLIP EXTENSION MOUNTING SECTION SHADE BEHIND SHELF
SHEET 1 OF 4



# SECTION CLIP EXTENSION WITH SHADE BELOW SHELF



U.S. Patent # 8,027,092B1  
 BrightShelf® is a registered  
 trademark of H&H Enterprises, Inc.

Designed By  
CJH

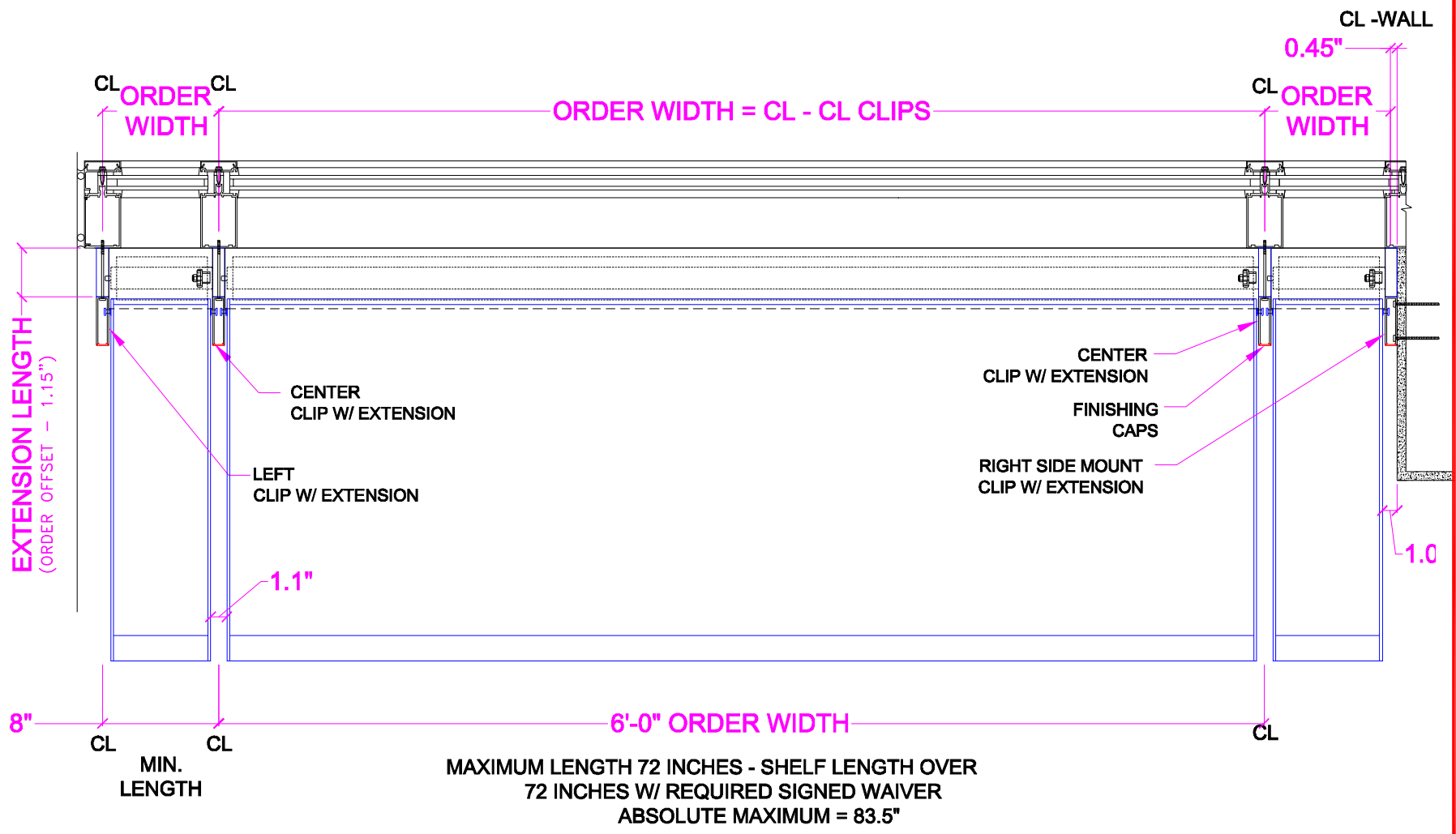
Drawn By  
CJH

Checked By

Date  
JANUARY 15, 2015

Scale  
NTS

Sheet Title  
CLIP EXTENSION  
MOUNTING  
SECTION SHADE  
BELOW SHELF



**PLAN**

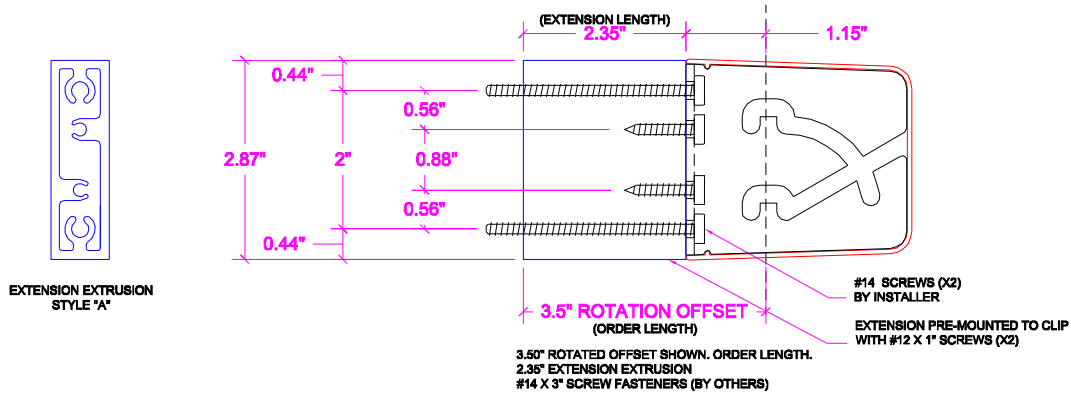
**MANUFACTURED BY:**  
**H & H ENTERPRISES, INC.**  
 12520 GRANT DRIVE #100  
 THORNTON, CO 80241-2408  
 (303) 429-4847  
 WWW.H-H-METALS.COM



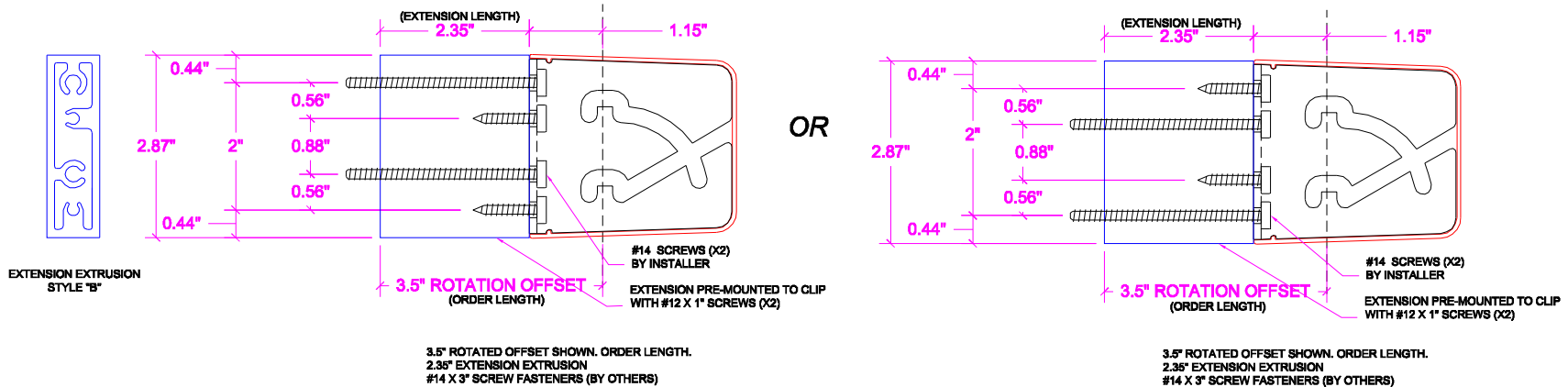
U.S. Patent # 8,027,092B1  
 BrightShelf® is a registered trademark of H&H Enterprises, Inc.

Designed By CJH
Drawn By CJH
Checked By
Date JANUARY 15, 2015
Scale NTS
Sheet Title CLIP EXTENSION MOUNTING PLAN
SHEET 3 OF 4

# BRIGHTSHELF CLIP EXTENSION OPTIONS



**EXTENSION MOUNTING OPTION "A"**



**EXTENSION MOUNTING OPTION "B-UP"**

**EXTENSION MOUNTING OPTION "B-DOWN"**

MANUFACTURED BY:  
**H & H ENTERPRISES, INC.**  
12520 GRANT DRIVE #100  
THORNTON, CO 80241-2408  
(303) 429-4847  
WWW.H-HMETALS.COM



U.S. Patent # 8,027,092B1  
BrightShelf® is a registered trademark of H&H Enterprises, Inc.

Designed By  
CJH

Drawn By  
CJH

Checked By

Date  
JANUARY 15, 2015

Scale  
NTS

Sheet Title  
CLIP EXTENSION OPTIONS

SHEET  
4  
OF 4